

Leveling Feet

Stainless Steel, with Rubber Pad, with Mounting Flange

SPECIFICATION

Type (Base plate)

- Type **B1**: Matte shot-blasted, rubber inlaid, black

Version (Screw)

- Version **S**: Without nut, external hex at the bottom
- Version **SK**: With nut, external hex at the bottom
- Version **T**: Without nut, wrench flat at the bottom
- Version **TK**: With nut, wrench flat at the bottom
- Version **U**: Without nut, hex socket at the top and wrench flat at the bottom
- Version **UK**: With nut, hex socket at the top and wrench flat at the bottom
- Version **V**: Without nut, external hex at the top and wrench flat at the bottom
- Version **VK**: With nut, external hex at the top and wrench flat at the bottom
- Version **W**: With adjustable sleeve, covered thread and wrench flat at the bottom
- Version **X**: External hex with internal thread

Base plate / flange
Stainless steel AISI 304

Threaded stem
Stainless Steel AISI 303

Hex nut ISO 4032
Stainless steel AISI 304

Rubber pad, inlaid
Black, NBR (Perbunan®)
80±5 Shore A

INFORMATION

Leveling feet GN 33 will be delivered mounted and are not removable.

TECHNICAL INFORMATION

- Stainless Steel Characteristics (see page A26)
- Plastic Characteristics (see page A32)



LOAD RATING OF LEVELING FEET

Information

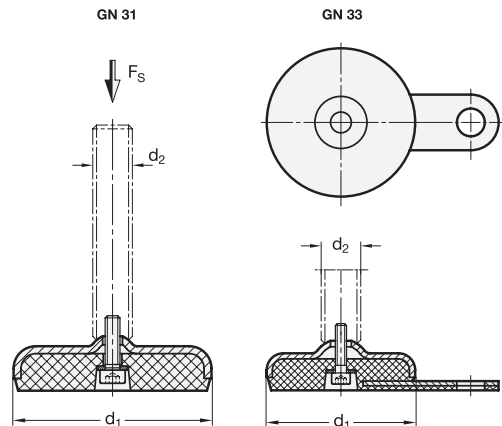
The static load bearing capacity given in the table rests on a test series in which the load has been applied perpendicular to the base plate. For the values given in the table, the strain relief may result in minor deformations of the base plate.

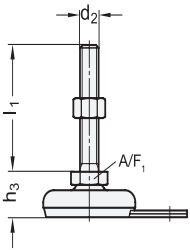
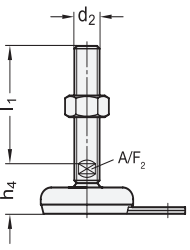
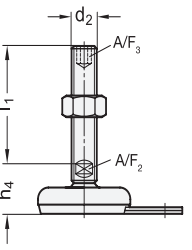
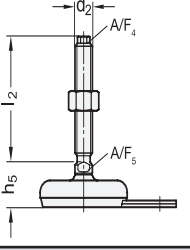
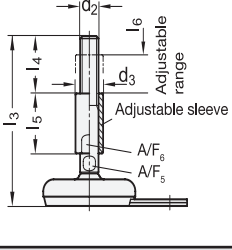
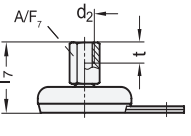
Bending and buckling stress which often occurs in practice results in a lower load bearing capacity of the adjustment spindle and may have to be taken into account.

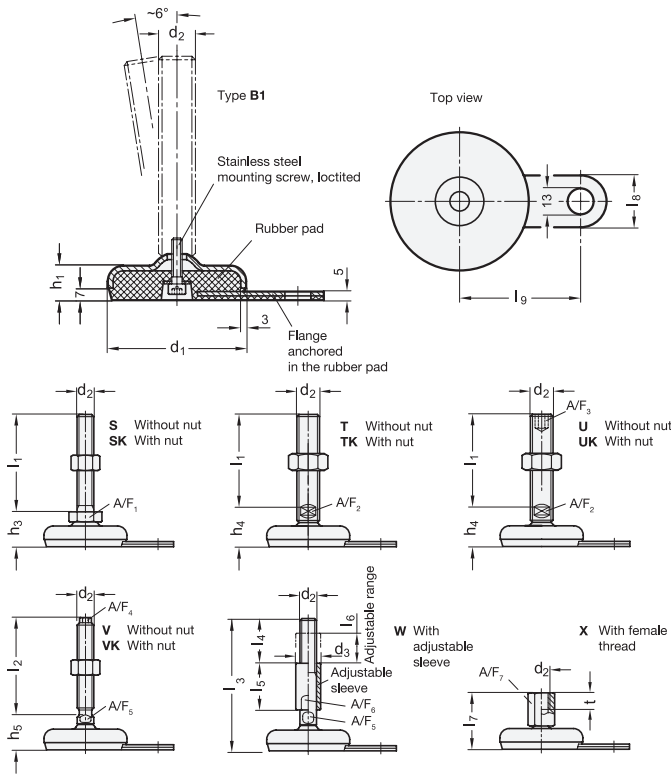
Also, the spindle strength is assumed to be $\geq 500 \text{ N/mm}^2$.

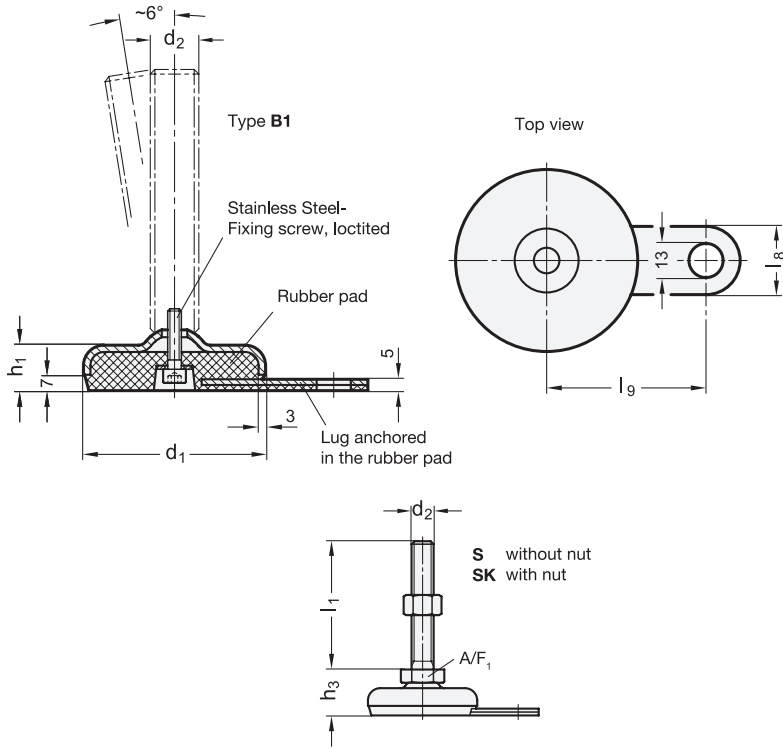
The details given on strength are nonbinding guide values without any liability. In general, they do not constitute a warranty of quality.

The user must determine from case to case if a product is suitable for the intended purpose or use. Environmental factors may influence the stated values.



Versions of threaded stem		
		
<p>S / SK: External hex at the bottom at d_2 M 8, M 10, M 12</p>	<p>T / TK: Wrench flat at the bottom at d_2 M 16, M 20, M 24</p>	<p>U / UK: Hex socket at the top and wrench flat at the bottom at d_2 M 16, M 20, M 24</p>
		
<p>V / VK: External hex at the top and wrench flat at the bottom at d_2 M 16, M 20, M 24</p>	<p>W: Covered thread and wrench flat at the bottom at d_2 M 16, M 20, M 24</p>	<p>X: External hex with internal thread at d_2 M 8, M 10, M 12, M 16, M 20</p>





* Complete with version of the Leveling feet
(External hex at the bottom)

S without nut **SK** with nut

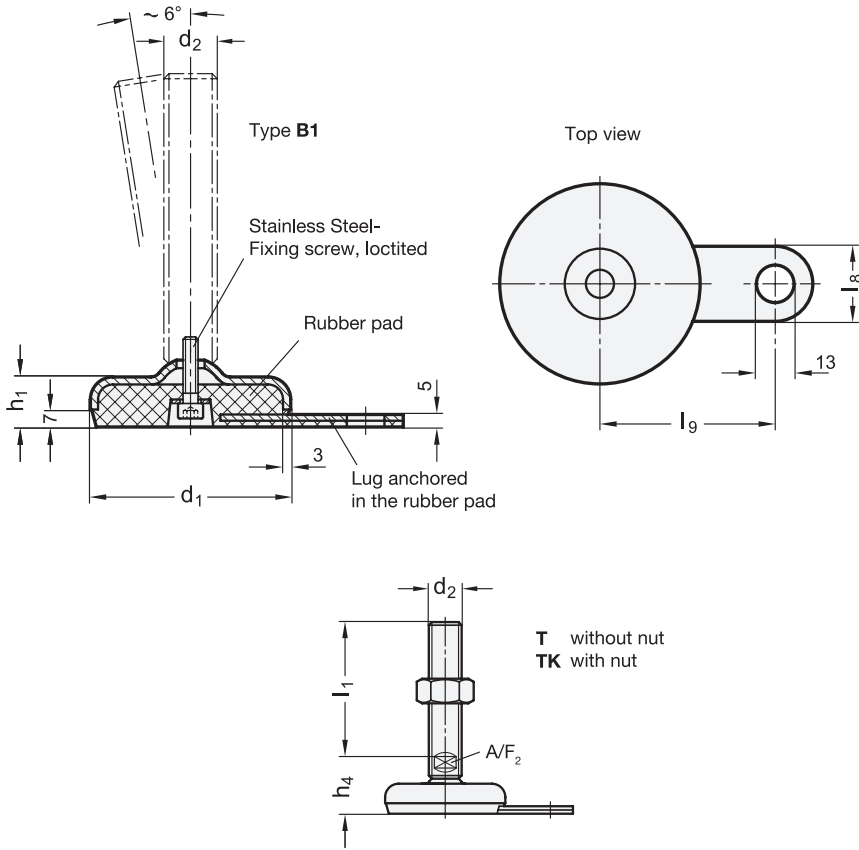
GN 33-S/SK STAINLESS STEEL

Description	d1	d2	l1	h1	h3	l8	l9	A/F1	⚖
GN 33-50-M8-40-B1-*	50	M 8	40	18	26	25	45	17	120
GN 33-50-M8-50-B1-*	50	M 8	50	18	26	25	45	17	140
GN 33-50-M8-63-B1-*	50	M 8	63	18	26	25	45	17	140
GN 33-50-M10-50-B1-*	50	M 10	50	18	26	25	45	17	150
GN 33-50-M10-60-B1-*	50	M 10	60	18	26	25	45	17	170
GN 33-50-M10-80-B1-*	50	M 10	80	18	26	25	45	17	160
GN 33-50-M10-100-B1-*	50	M 10	100	18	26	25	45	17	166
GN 33-50-M12-60-B1-*	50	M 12	60	18	26	25	45	17	160
GN 33-50-M12-80-B1-*	50	M 12	80	18	26	25	45	17	180
GN 33-50-M12-100-B1-*	50	M 12	100	18	26	25	45	17	180
GN 33-50-M12-125-B1-*	50	M 12	125	18	26	25	45	17	200
GN 33-60-M8-40-B1-*	60	M 8	40	19	27	25	50	17	286
GN 33-60-M8-50-B1-*	60	M 8	50	19	27	25	50	17	289
GN 33-60-M8-63-B1-*	60	M 8	63	19	27	25	50	17	293
GN 33-60-M10-50-B1-*	60	M 10	50	19	27	25	50	17	261
GN 33-60-M10-60-B1-*	60	M 10	60	19	27	25	50	17	200
GN 33-60-M10-80-B1-*	60	M 10	80	19	27	25	50	17	225
GN 33-60-M10-100-B1-*	60	M 10	100	19	27	25	50	17	250
GN 33-60-M12-60-B1-*	60	M 12	60	19	27	25	50	17	206
GN 33-60-M12-80-B1-*	60	M 12	80	19	27	25	50	17	190
GN 33-60-M12-100-B1-*	60	M 12	100	19	27	25	50	17	235
GN 33-60-M12-125-B1-*	60	M 12	125	19	27	25	50	17	260
GN 33-80-M8-40-B1-*	80	M 8	40	20	28	30	70	17	393
GN 33-80-M8-50-B1-*	80	M 8	50	20	28	30	70	17	150
GN 33-80-M8-63-B1-*	80	M 8	63	20	28	30	70	17	400
GN 33-80-M10-50-B1-*	80	M 10	50	20	28	30	70	17	320

GN 33-S/SK STAINLESS STEEL

Description	d1	d2	l1	h1	h3	l8	l9	A/F1	⚖
GN 33-80-M10-60-B1-*	80	M 10	60	20	28	30	70	17	431
GN 33-80-M10-80-B1-*	80	M 10	80	20	28	30	70	17	350
GN 33-80-M10-100-B1-*	80	M 10	100	20	28	30	70	17	340
GN 33-80-M12-60-B1-*	80	M 12	60	20	28	30	70	17	445
GN 33-80-M12-80-B1-*	80	M 12	80	20	28	30	70	17	340
GN 33-80-M12-100-B1-*	80	M 12	100	20	28	30	70	17	340
GN 33-80-M12-125-B1-*	80	M 12	125	20	28	30	70	17	380
GN 33-100-M8-40-B1-*	100	M 8	40	21	29	30	80	17	557
GN 33-100-M8-50-B1-*	100	M 8	50	21	29	30	80	17	560
GN 33-100-M8-63-B1-*	100	M 8	63	21	29	30	80	17	564
GN 33-100-M10-50-B1-*	100	M 10	50	21	29	30	80	17	590
GN 33-100-M10-60-B1-*	100	M 10	60	21	29	30	80	17	451
GN 33-100-M10-80-B1-*	100	M 10	80	21	29	30	80	17	604
GN 33-100-M10-100-B1-*	100	M 10	100	21	29	30	80	17	615
GN 33-100-M12-60-B1-*	100	M 12	60	21	29	30	80	17	500
GN 33-100-M12-80-B1-*	100	M 12	80	21	29	30	80	17	622
GN 33-100-M12-100-B1-*	100	M 12	100	21	29	30	80	17	637
GN 33-100-M12-125-B1-*	100	M 12	125	21	29	30	80	17	520

Weight Version S



GN 33-T/TK

STAINLESS STEEL

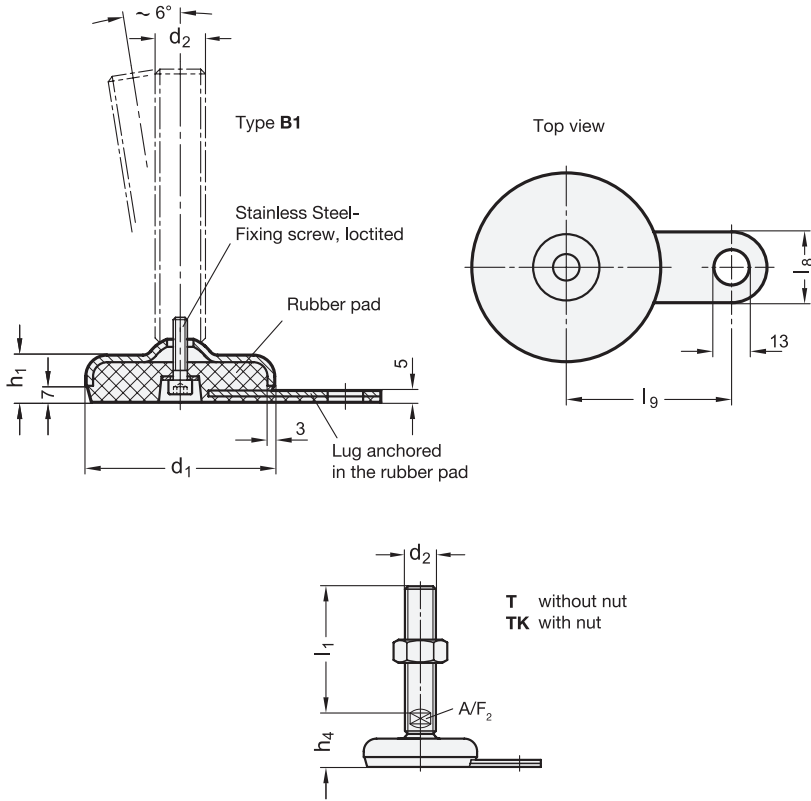
Description	d1	d2	l1	h1	h4	l8	l9	A/F ₂	⚖
GN 33-50-M16-75-B1-T	50	M 16	75	18	32	25	45	12	287
GN 33-50-M16-100-B1-T	50	M 16	100	18	32	25	45	12	200
GN 33-50-M16-125-B1-T	50	M 16	125	18	32	25	45	12	352
GN 33-50-M16-150-B1-T	50	M 16	150	18	32	25	45	12	320
GN 33-50-M16-200-B1-T	50	M 16	200	18	32	25	45	12	727
GN 33-50-M16-250-B1-T	50	M 16	250	18	32	25	45	12	457
GN 33-60-M16-75-B1-T	60	M 16	75	19	33	25	50	12	335
GN 33-60-M16-100-B1-T	60	M 16	100	19	33	25	50	12	300
GN 33-60-M16-125-B1-T	60	M 16	125	19	33	25	50	12	340
GN 33-60-M16-150-B1-T	60	M 16	150	19	33	25	50	12	363
GN 33-60-M16-200-B1-T	60	M 16	200	19	33	25	50	12	400
GN 33-60-M16-250-B1-T	60	M 16	250	19	33	25	50	12	731
GN 33-80-M16-75-B1-T	80	M 16	75	20	34	30	70	12	405
GN 33-80-M16-100-B1-T	80	M 16	100	20	34	30	70	12	430
GN 33-80-M16-125-B1-T	80	M 16	125	20	34	30	70	12	400
GN 33-80-M16-150-B1-T	80	M 16	150	20	34	30	70	12	495
GN 33-80-M16-200-B1-T	80	M 16	200	20	34	30	70	12	561
GN 33-80-M16-250-B1-T	80	M 16	250	20	34	30	70	12	892
GN 33-80-M20-75-B1-T	80	M 20	75	20	35	30	70	15	537
GN 33-80-M20-100-B1-T	80	M 20	100	20	35	30	70	15	596
GN 33-80-M20-125-B1-T	80	M 20	125	20	35	30	70	15	560
GN 33-80-M20-150-B1-T	80	M 20	150	20	35	30	70	15	600
GN 33-80-M20-200-B1-T	80	M 20	200	20	35	30	70	15	770
GN 33-80-M20-250-B1-T	80	M 20	250	20	35	30	70	15	1292
GN 33-80-M24-100-B1-T	80	M 24	100	20	38	30	70	19	659

GN 33-T/TK

STAINLESS STEEL

Description	d1	d2	l1	h1	h4	l8	l9	A/F ₂	⚖
GN 33-80-M24-125-B1-T	80	M 24	125	20	38	30	70	19	739
GN 33-80-M24-150-B1-T	80	M 24	150	20	38	30	70	19	805
GN 33-80-M24-200-B1-T	80	M 24	200	20	38	30	70	19	951
GN 33-80-M24-300-B1-T	80	M 24	300	20	38	30	70	19	2121
GN 33-100-M16-75-B1-T	100	M 16	75	21	35	30	80	12	500
GN 33-100-M16-100-B1-T	100	M 16	100	21	35	30	80	12	590
GN 33-100-M16-125-B1-T	100	M 16	125	21	35	30	80	12	500
GN 33-100-M16-150-B1-T	100	M 16	150	21	35	30	80	12	610
GN 33-100-M16-200-B1-T	100	M 16	200	21	35	30	80	12	650
GN 33-100-M16-250-B1-T	100	M 16	250	21	35	30	80	12	981
GN 33-100-M20-75-B1-T	100	M 20	75	21	36	30	80	15	701
GN 33-100-M20-100-B1-T	100	M 20	100	21	36	30	80	15	550
GN 33-100-M20-125-B1-T	100	M 20	125	21	36	30	80	15	660
GN 33-100-M20-150-B1-T	100	M 20	150	21	36	30	80	15	740
GN 33-100-M20-200-B1-T	100	M 20	200	21	36	30	80	15	850
GN 33-100-M20-250-B1-T	100	M 20	250	21	36	30	80	15	1372
GN 33-100-M24-100-B1-T	100	M 24	100	21	39	30	80	19	868
GN 33-100-M24-125-B1-T	100	M 24	125	21	39	30	80	19	800
GN 33-100-M24-150-B1-T	100	M 24	150	21	39	30	80	19	1014
GN 33-100-M24-200-B1-T	100	M 24	200	21	39	30	80	19	1030





GN 33-T/TK

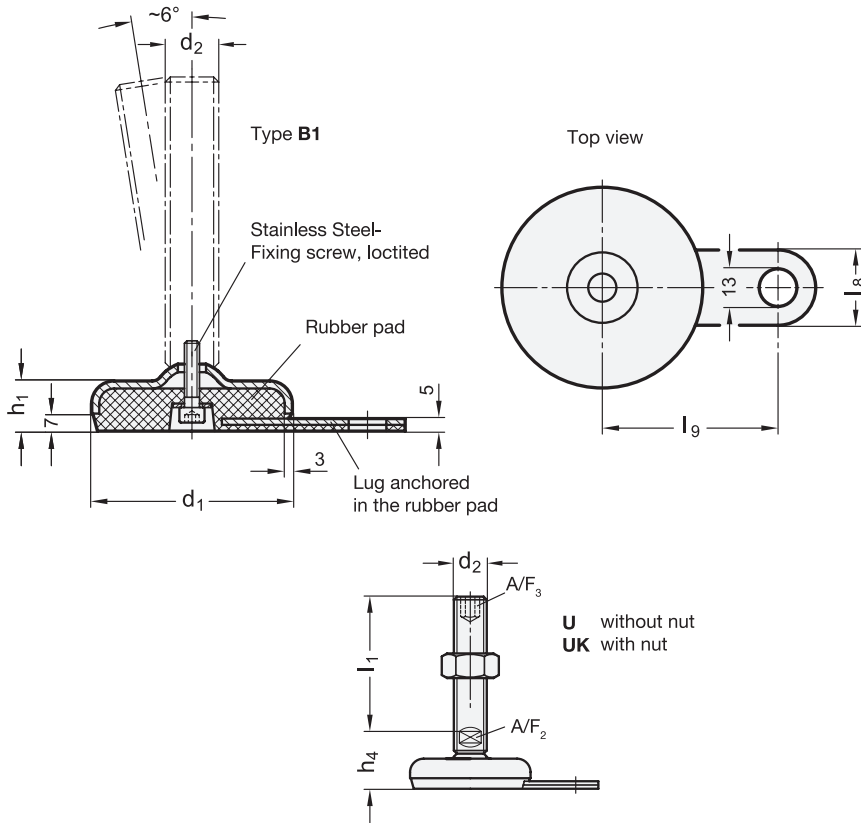
STAINLESS STEEL

Description	d ₁	d ₂	l ₁	h ₁	h ₄	l ₈	l ₉	A/F ₂	Δ
GN 33-100-M24-300-B1-T	100	M 24	300	21	39	30	80	19	2200
GN 33-50-M16-75-B1-TK	50	M 16	75	18	32	25	45	12	200
GN 33-50-M16-100-B1-TK	50	M 16	100	18	32	25	45	12	102
GN 33-50-M16-125-B1-TK	50	M 16	125	18	32	25	45	12	300
GN 33-50-M16-150-B1-TK	50	M 16	150	18	32	25	45	12	418
GN 33-50-M16-200-B1-TK	50	M 16	200	18	32	25	45	12	561
GN 33-50-M16-250-B1-TK	50	M 16	250	18	32	25	45	12	485
GN 33-60-M16-75-B1-TK	60	M 16	75	19	33	25	50	12	295
GN 33-60-M16-100-B1-TK	60	M 16	100	19	33	25	50	12	300
GN 33-60-M16-125-B1-TK	60	M 16	125	19	33	25	50	12	360
GN 33-60-M16-150-B1-TK	60	M 16	150	19	33	25	50	12	400
GN 33-60-M16-200-B1-TK	60	M 16	200	19	33	25	50	12	450
GN 33-60-M16-250-B1-TK	60	M 16	250	19	33	25	50	12	781
GN 33-80-M16-75-B1-TK	80	M 16	75	20	34	30	70	12	420
GN 33-80-M16-100-B1-TK	80	M 16	100	20	34	30	70	12	460
GN 33-80-M16-125-B1-TK	80	M 16	125	20	34	30	70	12	500
GN 33-80-M16-150-B1-TK	80	M 16	150	20	34	30	70	12	480
GN 33-80-M16-200-B1-TK	80	M 16	200	20	34	30	70	12	580
GN 33-80-M16-250-B1-TK	80	M 16	250	20	34	30	70	12	911
GN 33-80-M20-75-B1-TK	80	M 20	75	20	35	30	70	15	520
GN 33-80-M20-100-B1-TK	80	M 20	100	20	35	30	70	15	560
GN 33-80-M20-125-B1-TK	80	M 20	125	20	35	30	70	15	620
GN 33-80-M20-150-B1-TK	80	M 20	150	20	35	30	70	15	670
GN 33-80-M20-200-B1-TK	80	M 20	200	20	35	30	70	15	780
GN 33-80-M20-250-B1-TK	80	M 20	250	20	35	30	70	15	1302

GN 33-T/TK

STAINLESS STEEL

Description	d ₁	d ₂	l ₁	h ₁	h ₄	l ₈	l ₉	A/F ₂	Δ
GN 33-80-M24-100-B1-TK	80	M 24	100	20	38	30	70	19	600
GN 33-80-M24-125-B1-TK	80	M 24	125	20	38	30	70	19	834
GN 33-80-M24-150-B1-TK	80	M 24	150	20	38	30	70	19	880
GN 33-100-M16-150-B1-TK	100	M 16	150	21	35	30	80	12	1060
GN 33-80-M24-300-B1-TK	80	M 24	300	20	38	30	70	19	2230
GN 33-100-M16-75-B1-TK	100	M 16	75	21	35	30	80	12	540
GN 33-100-M16-100-B1-TK	100	M 16	100	21	35	30	80	12	580
GN 33-100-M16-125-B1-TK	100	M 16	125	21	35	30	80	12	550
GN 33-100-M16-150-B1-TK	100	M 16	150	21	35	30	80	12	660
GN 33-100-M16-200-B1-TK	100	M 16	200	21	35	30	80	12	720
GN 33-100-M16-250-B1-TK	100	M 16	250	21	35	30	80	12	1051
GN 33-100-M20-75-B1-TK	100	M 20	75	21	36	30	80	15	634
GN 33-100-M20-100-B1-TK	100	M 20	100	21	36	30	80	15	700
GN 33-100-M20-125-B1-TK	100	M 20	125	21	36	30	80	15	740
GN 33-100-M20-150-B1-TK	100	M 20	150	21	36	30	80	15	700
GN 33-100-M20-200-B1-TK	100	M 20	200	21	36	30	80	15	900
GN 33-100-M20-250-B1-TK	100	M 20	250	21	36	30	80	15	1422
GN 33-100-M24-100-B1-TK	100	M 24	100	21	39	30	80	19	963
GN 33-100-M24-125-B1-TK	100	M 24	125	21	39	30	80	19	920
GN 33-100-M24-150-B1-TK	100	M 24	150	21	39	30	80	19	1000
GN 33-100-M24-200-B1-TK	100	M 24	200	21	39	30	80	19	1050
GN 33-100-M24-300-B1-TK	100	M 24	300	21	39	30	80	19	2220



GN 33-U/UK

STAINLESS STEEL

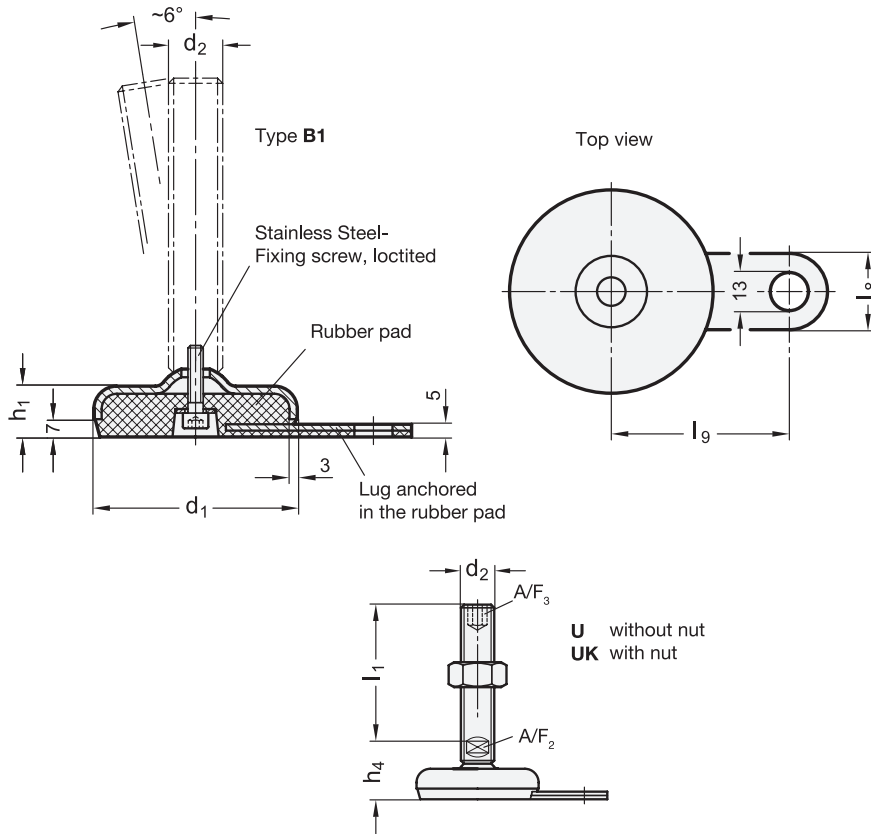
Description	d ₁	d ₂	l ₁	h ₁	h ₂	h ₃	l ₈	l ₉	A/F ₂	A/F ₃	⚖
GN 33-50-M16-75-B1-U	50	M 16	75	18	32	25	45	12	8	213	
GN 33-50-M16-100-B1-U	50	M 16	100	18	32	25	45	12	8	240	
GN 33-50-M16-125-B1-U	50	M 16	125	18	32	25	45	12	8	277	
GN 33-50-M16-150-B1-U	50	M 16	150	18	32	25	45	12	8	320	
GN 33-50-M16-200-B1-U	50	M 16	200	18	32	25	45	12	8	445	
GN 33-50-M16-250-B1-U	50	M 16	250	18	32	25	45	12	8	455	
GN 33-60-M16-75-B1-U	60	M 16	75	19	33	25	50	12	8	260	
GN 33-60-M16-100-B1-U	60	M 16	100	19	33	25	50	12	8	300	
GN 33-60-M16-125-B1-U	60	M 16	125	19	33	25	50	12	8	320	
GN 33-60-M16-150-B1-U	60	M 16	150	19	33	25	50	12	8	350	
GN 33-60-M16-200-B1-U	60	M 16	200	19	33	25	50	12	8	420	
GN 33-60-M16-250-B1-U	60	M 16	250	19	33	25	50	12	8	750	
GN 33-80-M16-75-B1-U	80	M 16	75	20	34	30	70	12	8	360	
GN 33-80-M16-100-B1-U	80	M 16	100	20	34	30	70	12	8	420	
GN 33-80-M16-125-B1-U	80	M 16	125	20	34	30	70	12	8	447	
GN 33-80-M16-150-B1-U	80	M 16	150	20	34	30	70	12	8	487	
GN 33-80-M16-200-B1-U	80	M 16	200	20	34	30	70	12	8	540	
GN 33-80-M16-250-B1-U	80	M 16	250	20	34	30	70	12	8	870	
GN 33-80-M20-75-B1-U	80	M 20	75	20	35	30	70	15	10	440	
GN 33-80-M20-100-B1-U	80	M 20	100	20	35	30	70	15	10	500	
GN 33-80-M20-125-B1-U	80	M 20	125	20	35	30	70	15	10	550	
GN 33-80-M20-150-B1-U	80	M 20	150	20	35	30	70	15	10	600	
GN 33-80-M20-200-B1-U	80	M 20	200	20	35	30	70	15	10	670	
GN 33-80-M20-250-B1-U	80	M 20	250	20	35	30	70	15	10	1193	
GN 33-80-M24-100-B1-U	80	M 24	100	20	38	30	70	19	12	767	

GN 33-U/UK

STAINLESS STEEL

Description	d ₁	d ₂	l ₁	h ₁	h ₂	h ₃	l ₈	l ₉	A/F ₂	A/F ₃	⚖
GN 33-80-M24-125-B1-U	80	M 24	125	20	38	30	70	19	12	700	
GN 33-80-M24-150-B1-U	80	M 24	150	20	38	30	70	19	12	760	
GN 33-80-M24-200-B1-U	80	M 24	200	20	38	30	70	19	12	931	
GN 33-80-M24-300-B1-U	80	M 24	300	20	38	30	70	19	12	1740	
GN 33-100-M16-75-B1-U	100	M 16	75	21	35	30	80	12	8	515	
GN 33-100-M16-100-B1-U	100	M 16	100	21	35	30	80	12	8	550	
GN 33-100-M16-125-B1-U	100	M 16	125	21	35	30	80	12	8	577	
GN 33-100-M16-150-B1-U	100	M 16	150	21	35	30	80	12	8	608	
GN 33-100-M16-200-B1-U	100	M 16	200	21	35	30	80	12	8	736	
GN 33-100-M16-250-B1-U	100	M 16	250	21	35	30	80	12	8	1066	
GN 33-100-M20-75-B1-U	100	M 20	75	21	36	30	80	15	10	453	
GN 33-100-M20-100-B1-U	100	M 20	100	21	36	30	80	15	10	620	
GN 33-100-M20-125-B1-U	100	M 20	125	21	36	30	80	15	10	680	
GN 33-100-M20-150-B1-U	100	M 20	150	21	36	30	80	15	10	685	
GN 33-100-M20-200-B1-U	100	M 20	200	21	36	30	80	15	10	850	
GN 33-100-M20-250-B1-U	100	M 20	250	21	36	30	80	15	10	1373	
GN 33-100-M24-100-B1-U	100	M 24	100	21	39	30	80	19	12	740	
GN 33-100-M24-125-B1-U	100	M 24	125	21	39	30	80	19	12	923	
GN 33-100-M24-150-B1-U	100	M 24	150	21	39	30	80	19	12	885	
GN 33-100-M24-200-B1-U	100	M 24	200	21	39	30	80	19	12	950	





GN 33-U/UK

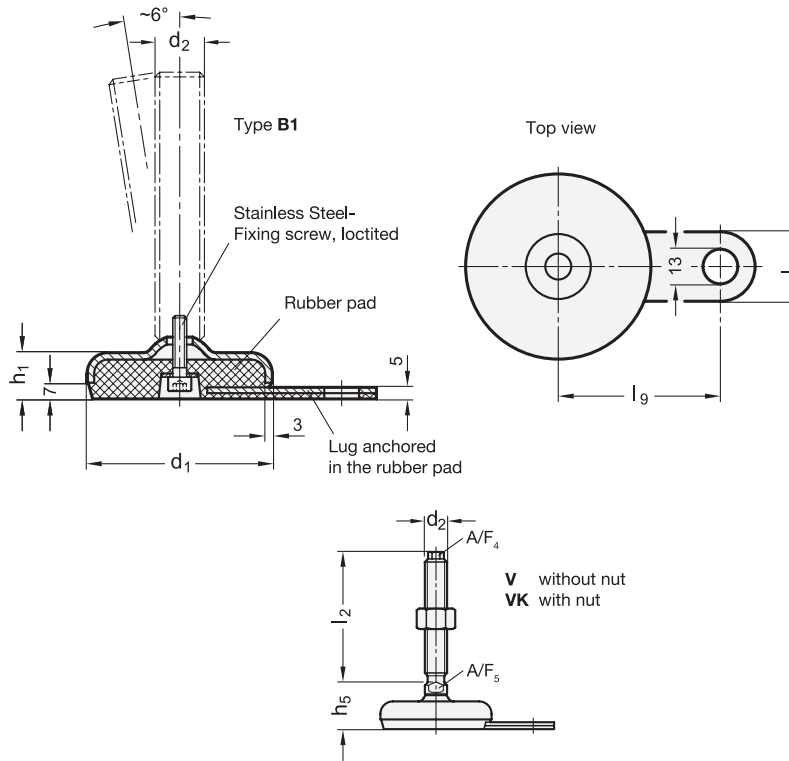
STAINLESS STEEL

Description	d1	d2	l1	h1	h4	l8	l9	A/F2	A/F3	△
GN 33-100-M24-300-B1-U	100	M 24	300	21	39	30	80	19	12	1759
GN 33-50-M16-75-B1-UK	50	M 16	75	18	32	25	45	12	8	240
GN 33-50-M16-100-B1-UK	50	M 16	100	18	32	25	45	12	8	270
GN 33-50-M16-125-B1-UK	50	M 16	125	18	32	25	45	12	8	300
GN 33-50-M16-150-B1-UK	50	M 16	150	18	32	25	45	12	8	340
GN 33-50-M16-200-B1-UK	50	M 16	200	18	32	25	45	12	8	400
GN 33-50-M16-250-B1-UK	50	M 16	250	18	32	25	45	12	8	483
GN 33-60-M16-75-B1-UK	60	M 16	75	19	33	25	50	12	8	289
GN 33-60-M16-100-B1-UK	60	M 16	100	19	33	25	50	12	8	320
GN 33-60-M16-125-B1-UK	60	M 16	125	19	33	25	50	12	8	380
GN 33-60-M16-150-B1-UK	60	M 16	150	19	33	25	50	12	8	380
GN 33-60-M16-200-B1-UK	60	M 16	200	19	33	25	50	12	8	400
GN 33-60-M16-250-B1-UK	60	M 16	250	19	33	25	50	12	8	730
GN 33-80-M16-75-B1-UK	80	M 16	75	20	34	30	70	12	8	400
GN 33-80-M16-100-B1-UK	80	M 16	100	20	34	30	70	12	8	420
GN 33-80-M16-125-B1-UK	80	M 16	125	20	34	30	70	12	8	510
GN 33-80-M16-150-B1-UK	80	M 16	150	20	34	30	70	12	8	520
GN 33-80-M16-200-B1-UK	80	M 16	200	20	34	30	70	12	8	550
GN 33-80-M16-250-B1-UK	80	M 16	250	20	34	30	70	12	8	880
GN 33-80-M20-75-B1-UK	80	M 20	75	20	35	30	70	15	10	500
GN 33-80-M20-100-B1-UK	80	M 20	100	20	35	30	70	15	10	520
GN 33-80-M20-125-B1-UK	80	M 20	125	20	35	30	70	15	10	600
GN 33-80-M20-150-B1-UK	80	M 20	150	20	35	30	70	15	10	620
GN 33-80-M20-200-B1-UK	80	M 20	200	20	35	30	70	15	10	700
GN 33-80-M20-250-B1-UK	80	M 20	250	20	35	30	70	15	10	1223
GN 33-80-M24-100-B1-UK	80	M 24	100	20	38	30	70	19	12	700

GN 33-U/UK

STAINLESS STEEL

Description	d1	d2	l1	h1	h4	l8	l9	A/F2	A/F3	△
GN 33-80-M24-125-B1-UK	80	M 24	125	20	38	30	70	19	12	750
GN 33-80-M24-150-B1-UK	80	M 24	150	20	38	30	70	19	12	840
GN 33-80-M24-200-B1-UK	80	M 24	200	20	38	30	70	19	12	500
GN 33-80-M24-300-B1-UK	80	M 24	300	20	38	30	70	19	12	1309
GN 33-100-M16-75-B1-UK	100	M 16	75	21	35	30	80	12	8	540
GN 33-100-M16-100-B1-UK	100	M 16	100	21	35	30	80	12	8	570
GN 33-100-M16-125-B1-UK	100	M 16	125	21	35	30	80	12	8	620
GN 33-100-M16-150-B1-UK	100	M 16	150	21	35	30	80	12	8	640
GN 33-100-M16-200-B1-UK	100	M 16	200	21	35	30	80	12	8	700
GN 33-100-M16-250-B1-UK	100	M 16	250	21	35	30	80	12	8	1030
GN 33-100-M20-75-B1-UK	100	M 20	75	21	36	30	80	15	10	640
GN 33-100-M20-100-B1-UK	100	M 20	100	21	36	30	80	15	10	685
GN 33-100-M20-125-B1-UK	100	M 20	125	21	36	30	80	15	10	700
GN 33-100-M20-150-B1-UK	100	M 20	150	21	36	30	80	15	10	750
GN 33-100-M20-200-B1-UK	100	M 20	200	21	36	30	80	15	10	900
GN 33-100-M20-250-B1-UK	100	M 20	250	21	36	30	80	15	10	1423
GN 33-100-M24-100-B1-UK	100	M 24	100	21	39	30	80	19	12	820
GN 33-100-M24-125-B1-UK	100	M 24	125	21	39	30	80	19	12	900
GN 33-100-M24-150-B1-UK	100	M 24	150	21	39	30	80	19	12	980
GN 33-100-M24-200-B1-UK	100	M 24	200	21	39	30	80	19	12	1140
GN 33-100-M24-300-B1-UK	100	M 24	300	21	39	30	80	19	12	1949



GN 33-V/VK

STAINLESS STEEL

Description	d1	d2	l2	h1	h5	l8	l9	A/F4	A/F5	⚖
GN 33-60-M16-75-B1-V	60	M 16	75	19	30	25	50	10	12	1199
GN 33-60-M16-100-B1-V	60	M 16	100	19	30	25	50	10	12	360
GN 33-60-M16-125-B1-V	60	M 16	125	19	30	25	50	10	12	392
GN 33-60-M16-150-B1-V	60	M 16	150	19	30	25	50	10	12	425
GN 33-80-M16-75-B1-V	80	M 16	75	20	31	30	70	10	12	1269
GN 33-80-M16-100-B1-V	80	M 16	100	20	31	30	70	10	12	430
GN 33-80-M16-125-B1-V	80	M 16	125	20	31	30	70	10	12	462
GN 33-80-M16-150-B1-V	80	M 16	150	20	31	30	70	10	12	480
GN 33-80-M20-100-B1-V	80	M 20	100	20	32	30	70	13	16	587
GN 33-80-M20-125-B1-V	80	M 20	125	20	32	30	70	13	16	638
GN 33-80-M20-150-B1-V	80	M 20	150	20	32	30	70	13	16	690
GN 33-80-M20-200-B1-V	80	M 20	200	20	32	30	70	13	16	795
GN 33-80-M24-100-B1-V	80	M 24	100	20	35	30	70	17	20	645
GN 33-80-M24-150-B1-V	80	M 24	150	20	35	30	70	17	20	793
GN 33-80-M24-200-B1-V	80	M 24	200	20	35	30	70	17	20	939
GN 33-100-M16-75-B1-V	100	M 16	75	21	32	30	80	10	12	530
GN 33-100-M16-100-B1-V	100	M 16	100	21	32	30	80	10	12	689
GN 33-100-M16-125-B1-V	100	M 16	125	21	32	30	80	10	12	721
GN 33-100-M16-150-B1-V	100	M 16	150	21	32	30	80	10	12	600
GN 33-100-M20-100-B1-V	100	M 20	100	21	33	30	80	13	16	751
GN 33-100-M20-125-B1-V	100	M 20	125	21	33	30	80	13	16	802
GN 33-100-M20-150-B1-V	100	M 20	150	21	33	30	80	13	16	720
GN 33-100-M20-200-B1-V	100	M 20	200	21	33	30	80	13	16	750
GN 33-100-M24-100-B1-V	100	M 24	100	21	36	30	80	17	20	854
GN 33-100-M24-150-B1-V	100	M 24	150	21	36	30	80	17	20	1002
GN 33-100-M24-200-B1-V	100	M 24	200	21	36	30	80	17	20	1148
GN 33-60-M16-75-B1-VK	60	M 16	75	19	30	25	50	10	12	250
GN 33-60-M16-100-B1-VK	60	M 16	100	19	30	25	50	10	12	320

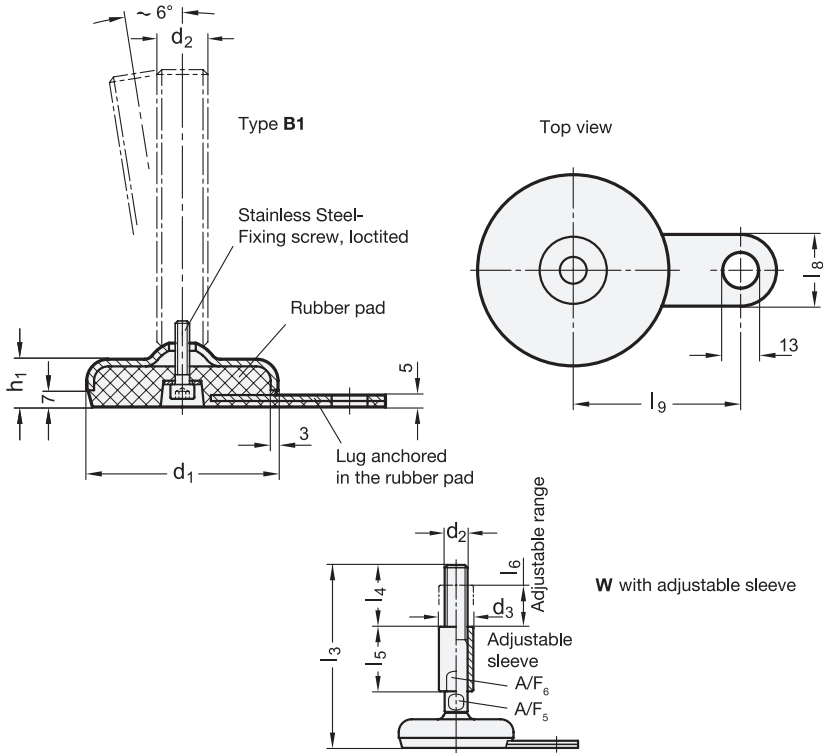
GN 33-V/VK

STAINLESS STEEL

Description	d1	d2	l2	h1	h5	l8	l9	A/F4	A/F5	⚖
GN 33-60-M16-125-B1-VK	60	M 16	125	19	30	25	50	10	12	426
GN 33-60-M16-150-B1-VK	60	M 16	150	19	30	25	50	10	12	459
GN 33-80-M16-75-B1-VK	80	M 16	75	20	31	30	70	10	12	400
GN 33-80-M16-100-B1-VK	80	M 16	100	20	31	30	70	10	12	464
GN 33-80-M16-125-B1-VK	80	M 16	125	20	31	30	70	10	12	496
GN 33-80-M16-150-B1-VK	80	M 16	150	20	31	30	70	10	12	529
GN 33-80-M20-100-B1-VK	80	M 20	100	20	32	30	70	13	16	500
GN 33-80-M20-125-B1-VK	80	M 20	125	20	32	30	70	13	16	691
GN 33-80-M20-150-B1-VK	80	M 20	150	20	32	30	70	13	16	500
GN 33-80-M20-200-B1-VK	80	M 20	200	20	32	30	70	13	16	750
GN 33-80-M24-100-B1-VK	80	M 24	100	20	35	30	70	17	20	740
GN 33-80-M24-150-B1-VK	80	M 24	150	20	35	30	70	17	20	888
GN 33-80-M24-200-B1-VK	80	M 24	200	20	35	30	70	17	20	1034
GN 33-100-M16-75-B1-VK	100	M 16	75	21	32	30	80	10	12	1562
GN 33-100-M16-100-B1-VK	100	M 16	100	21	32	30	80	10	12	723
GN 33-100-M16-125-B1-VK	100	M 16	125	21	32	30	80	10	12	755
GN 33-100-M16-150-B1-VK	100	M 16	150	21	32	30	80	10	12	788
GN 33-100-M20-100-B1-VK	100	M 20	100	21	33	30	80	13	16	804
GN 33-100-M20-125-B1-VK	100	M 20	125	21	33	30	80	13	16	855
GN 33-100-M20-150-B1-VK	100	M 20	150	21	33	30	80	13	16	790
GN 33-100-M20-200-B1-VK	100	M 20	200	21	33	30	80	13	16	900
GN 33-100-M24-100-B1-VK	100	M 24	100	21	36	30	80	17	20	949
GN 33-100-M24-150-B1-VK	100	M 24	150	21	36	30	80	17	20	1265
GN 33-100-M24-200-B1-VK	100	M 24	200	21	36	30	80	17	20	1243



Leveling elements 11

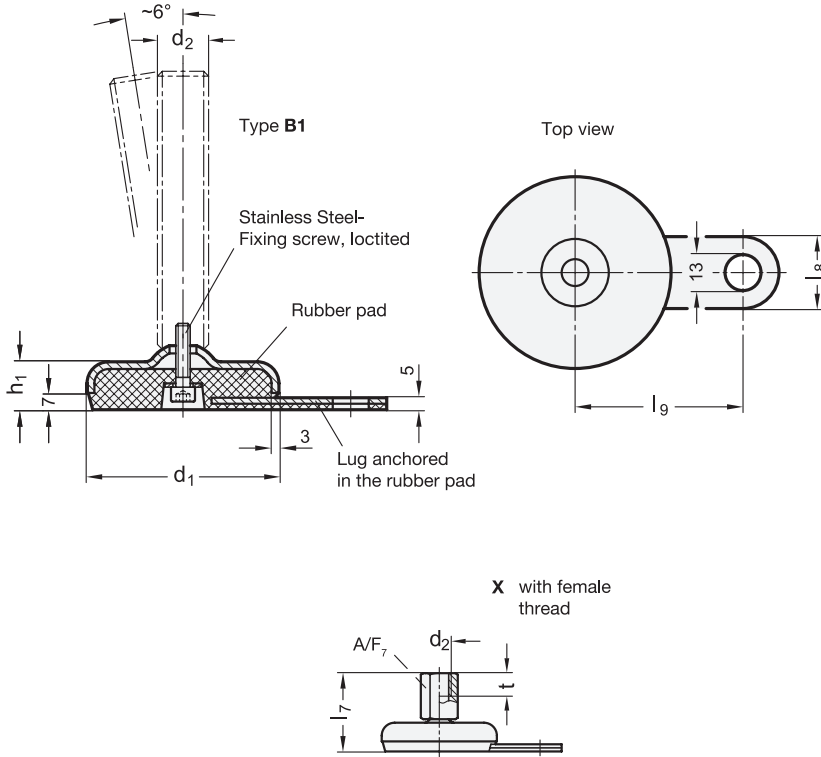


GN 33-W

STAINLESS STEEL

Description	d ₁	d ₂	l ₃	d ₃	h ₁	l ₄	l ₅	l ₆	l ₈	l ₉	A/F ₅	A/F ₆	⚖
GN 33-60-M16-126-B1-W	60	M 16	126	24	19	45	45	29	25	50	12	20	390
GN 33-60-M16-151-B1-W	60	M 16	151	24	19	45	45	29	25	50	12	20	400
GN 33-60-M16-176-B1-W	60	M 16	176	24	19	45	45	29	25	50	12	20	512
GN 33-60-M16-201-B1-W	60	M 16	201	24	19	45	45	29	25	50	12	20	500
GN 33-80-M16-127-B1-W	80	M 16	127	24	20	45	45	29	30	70	12	20	523
GN 33-80-M16-152-B1-W	80	M 16	152	24	20	45	45	29	30	70	12	20	560
GN 33-80-M16-177-B1-W	80	M 16	177	24	20	45	45	29	30	70	12	20	601
GN 33-80-M16-202-B1-W	80	M 16	202	24	20	45	45	29	30	70	12	20	641
GN 33-80-M20-151-B1-W	80	M 20	151	30	20	56	56	36	30	70	16	24	700
GN 33-80-M20-176-B1-W	80	M 20	176	30	20	56	56	36	30	70	16	24	898
GN 33-80-M20-201-B1-W	80	M 20	201	30	20	56	56	36	30	70	16	24	961
GN 33-80-M20-251-B1-W	80	M 20	251	30	20	56	56	36	30	70	16	24	1085
GN 33-80-M24-176-B1-W	80	M 24	176	35	20	67	67	42	30	70	20	30	1074
GN 33-80-M24-226-B1-W	80	M 24	226	35	20	67	67	42	30	70	20	30	1300
GN 33-80-M24-276-B1-W	80	M 24	276	35	20	67	67	42	30	70	20	30	1431
GN 33-100-M16-128-B1-W	100	M 16	128	24	21	45	45	29	30	80	12	20	640
GN 33-100-M16-153-B1-W	100	M 16	153	24	21	45	45	29	30	80	12	20	680
GN 33-100-M16-178-B1-W	100	M 16	178	24	21	45	45	29	30	80	12	20	720
GN 33-100-M16-203-B1-W	100	M 16	203	24	21	45	45	29	30	80	12	20	900
GN 33-100-M20-152-B1-W	100	M 20	152	30	21	56	56	36	30	80	16	24	864
GN 33-100-M20-177-B1-W	100	M 20	177	30	21	56	56	36	30	80	16	24	1062
GN 33-100-M20-202-B1-W	100	M 20	202	30	21	56	56	36	30	80	16	24	1125
GN 33-100-M20-252-B1-W	100	M 20	252	30	21	56	56	36	30	80	16	24	1125
GN 33-100-M24-177-B1-W	100	M 24	177	35	21	67	67	42	30	80	20	30	1000
GN 33-100-M24-227-B1-W	100	M 24	227	35	21	67	67	42	30	80	20	30	1100
GN 33-100-M24-277-B1-W	100	M 24	277	35	21	67	67	42	30	80	20	30	1640

Levelling elements 11



GN 33-X

STAINLESS STEEL

Description	d ₁	d ₂	l ₇	h ₁	l ₈	l ₉	A/F ₇	t	⚖
GN 33-50-M8-40-B1-X	50	M 8	40	18	25	45	14	8	181
GN 33-50-M10-43-B1-X	50	M 10	43	18	25	45	14	10	181
GN 33-50-M12-47-B1-X	50	M 12	47	18	25	45	17	12	196
GN 33-50-M16-52-B1-X	50	M 16	52	18	25	45	22	16	251
GN 33-60-M8-41-B1-X	60	M 8	41	19	25	50	14	8	229
GN 33-60-M10-44-B1-X	60	M 10	44	19	25	50	14	10	250
GN 33-60-M12-48-B1-X	60	M 12	48	19	25	50	17	12	265
GN 33-60-M16-53-B1-X	60	M 16	53	19	25	50	22	16	150
GN 33-80-M8-42-B1-X	80	M 8	42	20	30	70	14	8	320
GN 33-80-M10-45-B1-X	80	M 10	45	20	30	70	14	10	320
GN 33-80-M12-49-B1-X	80	M 12	49	20	30	70	17	12	335
GN 33-80-M16-54-B1-X	80	M 16	54	20	30	70	22	16	369
GN 33-80-M20-62-B1-X	80	M 20	62	20	30	70	27	20	509
GN 33-100-M8-43-B1-X	100	M 8	43	21	30	80	14	8	579
GN 33-100-M10-46-B1-X	100	M 10	46	21	30	80	14	10	579
GN 33-100-M12-50-B1-X	100	M 12	50	21	30	80	17	12	514
GN 33-100-M16-55-B1-X	100	M 16	55	21	30	80	22	16	628
GN 33-100-M20-63-B1-X	100	M 20	63	21	30	80	27	20	673

